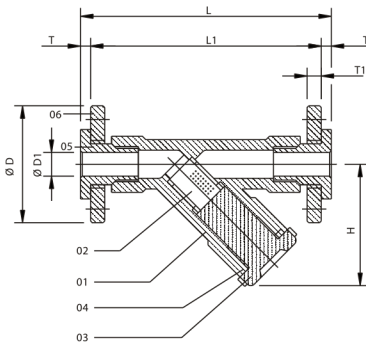


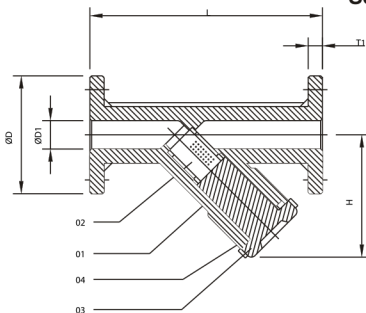
PP Y TYPE STRAINER - Flange End



AVAILABLE SIZE : ½" to 2"



AVAILABLE SIZE : 2½" to 4" **PP Moulded Screen**



AVAILABLE SIZE : ½" to 2"

TECHNICAL DATA :

CONSTRUCTION : Single piece body

DESIGN AND MANUFACTURING STD. : As per Manufacturer's Standard

END CONNECTIONS : Flanged as per ANSI B 16.5 (150 #) as per BS 10 (Table D/E/F) & DIN STD

AVAILABLE M.O.C. :

PP (POLYPROPYLENE)

ISOTACTIC PP

PVDF (POLYVINYLIDENE FLUORIDE)

ALL DIMENSIONS ARE IN MM

(±2 MM)

| SIZE | | Ø D | Ø D1 | L | L 1 | T | T 1 | H |
|-------|-----|-------|------|-----|-----|------|------|-------|
| IN. | MM. | | | | | | | |
| 1 " | 25 | 123.5 | 25 | 226 | 200 | 13.0 | 19.0 | 92.0 |
| 1 ½ " | 40 | 142.0 | 39 | 278 | 252 | 13.0 | 22.0 | 115.0 |
| 2 " | 50 | 166.0 | 49 | 310 | 282 | 14.0 | 22.0 | 148.5 |

| NO. | DESCRIPTION | MATERIAL OPTION | QTY. |
|-----|--------------|-------------------|------|
| 01 | BODY | PP / ISOPP / PVDF | 1 |
| 02 | SCREEN | 80 MESH PP | 1 |
| 03 | COVER | PP / ISOPP / PVDF | 1 |
| 04 | COVER GASKET | NEOPRENE RUBBER | 1 |

ALL DIMENSIONS ARE IN MM

(±2 MM)

| SIZE | | Ø D | Ø D1 | L | T | H |
|------|-----|-----|------|-----|----|-----|
| IN. | MM | | | | | |
| 3 " | 80 | 203 | 78 | 300 | 24 | 182 |
| 4 " | 100 | 229 | 102 | 343 | 25 | 228 |

PP Y TYPE STRAINER - Screw End