

PP DIAPHRAGM VALVE - Flange End



TECHNICAL DATA :

CONSTRUCTION : Weir type design, Soft seated, Raising stem

DESIGN AND MANUFACTURING STD. : As per Manufacturer's Standard

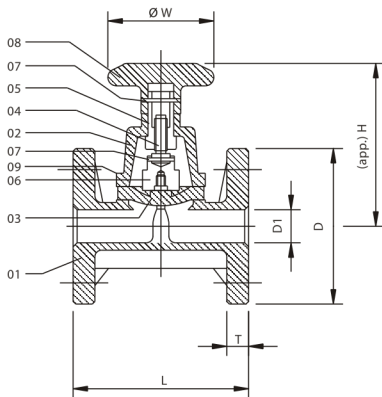
END CONNECTIONS : Flanged as per ANSI B 16.5 (150 #) as per BS 10 (Table D/E/F) & DIN STD.

AVAILABLE M.O.C. :

PP (POLYPROPYLENE)

ISOTACTIC PP

PVDF (POLYVINYLIDENE FLUORIDE)



NO.	DESCRIPTION	MATERIAL OPTION	QTY.
01	BODY	PP / ISOPP / PVDF	1
02	BONNET	PP / ISOPP / PVDF	1
03	DIAPHRAGM	NEOPRENE / TEFLON COATED	1
04	STEM/SPINDLE	M.S. / S.S. 316	1
05	STEM/SPINDLE NUT	M.S. / S.S. 316	1
06	COMPRESSOR	GLASS FILLED PP	1
07	PIN	M.S. / S.S. 316	1
08	HAND WHEEL	PP / ISOPP / PVDF	1
09	NUT, BOLT & WASHER	M.S. ZINK COATED / S.S.	REQ

ALL DIMENSIONS ARE IN MM

(±2 MM)

SIZE		D	D1	L	T	H	Ø W
IN.	MM.						
½ "	15	95.0	15.0	116.0	15.0	85.0	59.5
¾ "	20	101.0	20.0	120.0	16.5	96.5	59.5
1 "	25	121.0	25.0	133.0	16.5	113.5	70.5
1 ½ "	40	141.0	38.0	167.0	19.5	175.0	91.0
2 "	50	166.5	50.0	200.0	21.0	195.0	105.0
2 ½ "	65	183.0	63.5	244.0	24.0	208.0	198.0
3 "	80	204.0	77.0	248.0	25.0	211.0	198.0
4 "	100	227.0	102.0	335.0	25.0		229.0

PP DIAPHRAGM VALVE - Screw End



TECHNICAL DATA :

CONSTRUCTION : Weir type design, Soft seated, Raising stem

DESIGN AND MANUFACTURING STD. : As per Manufacturer's Standard

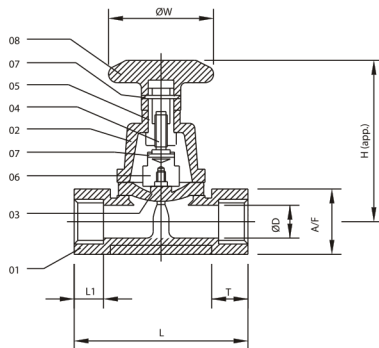
END CONNECTIONS : Screw end (BSP thread)

AVAILABLE M.O.C. :

PP (POLYPROPYLENE)

ISOTACTIC PP

PVDF (POLYVINYLIDENE FLUORIDE)



NO.	DESCRIPTION	MATERIAL OPTION	QTY.
01	BODY	PP / ISOPP / PVDF	1
02	BONNET	PP / ISOPP / PVDF	1
03	DIAPHRAGM	NEOPRENE / TEFLON COATED	1
04	STEM/SPINDLE	M.S. / S.S. 316	1
05	STEM/SPINDLE NUT	M.S. / S.S. 316	1
06	COMPRESSOR	GLASS FILLED PP	1
07	PIN	M.S. / S.S. 316	1
08	HAND WHEEL	PP / ISOPP / PVDF	1
09	FASTNERS	M.S. ZINC COATED / SS 316	REQ.

ALL DIMENSIONS ARE IN MM

(±2 MM)

SIZE		Ø D	L	L 1	A / F	T	H	Ø W
IN.	MM.							
½ "	15	15.0	89.0	16.5	31.0	17.5	84.5	59.5
¾ "	20	20.0	107.0	18.0	38.0	20.0	95.0	59.5
1 "	25	25.0	123.0	21.0	45.0	23.0	114.5	70.5