

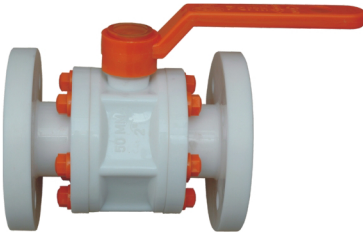
PP BALL VALVE - Flange End

TECHNICAL DATA :

CONSTRUCTION : 3 piece design, Single piece stem (Spindle) Reinforced Ball, Teflon seated, full bore.

DESIGN AND MANUFACTURING STD. : As per Manufacturer's Standard

END CONNECTIONS : Flanged as per ANSI B 16.5 (150 #) & as per BS 10 (Table D/E/F) & DIN STD.



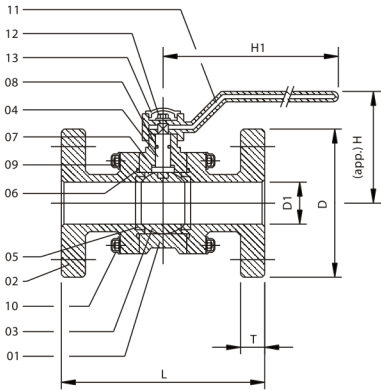
AVAILABLE M.O.C. :

PP (POLYPROPYLENE)

HDPE (HIGH DENSITY POLYETHYLENE)

ISOTACTIC PP

PVDF (POLYVINYLIDENE FLUORIDE)



NO.	DESCRIPTION	MATERIAL OPTION	QTY.
01	BODY	PP / HDPE / ISOPP / PVDF	1
02	SIDE PIECE/CONNECTOR	PP / HDPE / ISOPP / PVDF	2
03	BALL	PP / HDPE / ISOPP / PVDF	1
04	STEM/SPINDLE	M.S./S.S.PP/ISOPP/PVDF COATED	1
05	SEAT RING	PTFE	2
06	CONNECTOR SEAL	NEOPRENE RUBBER / PTFE	2
07	STEM SEAL RING	PTFE	1
08	STEM O-RING	NEOPRENE	1
09	STUD, NUT & WASHER	M.S. (EN8) / S.S. 316	REQ.
10	NUT CAP	PP	REQ.
11	HANDLE	M.S. PP COATED	1
12	HANDLE HEX. PIN	M.S. (En8) / S.S. 316	1
13	HANDLE CAP	PP	1

HDPE BALL VALVE - Flange End



ALL DIMENSIONS ARE IN MM (±2 MM)

SIZE		D	D1	L	T	H	H1
IN.	MM						
½ "	15	100.0	13.5	129.0	12.7	69.0	131.0
¾ "	20	101.0	19.0	142.0	14.0	75.0	131.0
1 "	25	121.0	25.0	158.0	21.0	92.0	161.0
1 ½ "	40	138.0	38.0	182.0	22.0	111.0	205.0
2 "	50	165.0	50.0	210.0	23.0	122.0	205.0
2 ½ "	65	182.0	63.5	234.0	25.0	140.0	262.0
3 "	80	200.0	75.0	255.0	25.0	148.0	262.0
4 "	100	226.0	100.0	297.0	28.0	170.0	335.0
6 "	150	303.0	150.0	425.0	32.0	236.0	405.0
8 "	200	356.0	200.0	497.0	35.0	283.0	498.0

AVAILABLE SIZE : ½" to 8"

PP BALL VALVE - Screw End



TECHNICAL DATA :

CONSTRUCTION : 3 piece design, Single piece stem (Spindle) Reinforced Ball, Teflon seated, full bo

DESIGN AND MANUFACTURING STD. : As per Manufacturer's Standard

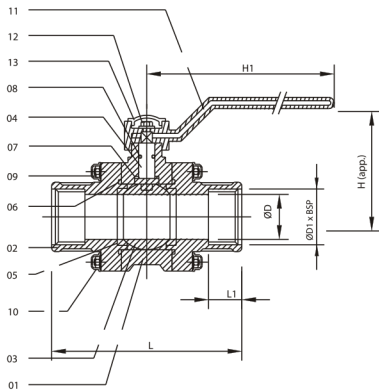
END CONNECTIONS : Screw end (BSP thread)

AVAILABLE M.O.C. :

PP (POLYPROPYLENE)

ISOTACTIC PP

PVDF (POLYVINYLIDENE FLUORIDE)



NO.	DESCRIPTION	MATERIAL OPTION	QTY.
01	BODY	PP / ISOPP / PVDF	1
02	SIDE PIECE/CONNECTOR	PP / ISOPP / PVDF	2
03	BALL	PP / ISOPP / PVDF	1
04	STEM/SPINDLE	M.S./S.S. PP/ISOPP/PVDF COATED	1
05	SEAT RING	PTFE	2
06	CONNECTOR SEAL	NEOPRENE RUBBER / PTFE	2
07	STEM SEAL RING	PTFE	1
08	STEM O-RING	NEOPRENE	1
09	STUD, NUT & WASHER	M.S. (EN8) / S.S. 316	REQ.
10	NUT CAP	PP	REQ.
11	HANDLE	M.S. PP COATED	1
12	HANDLE HEX. PIN	M.S. (En8) / S.S. 316	1
13	HANDLE CAP	PP	1

ALL DIMENSIONS ARE IN MM

(±2 MM)

SIZE		Ø D	Ø D1	L	L 1	H	H 1
IN.	MM						
½ "	15	15.0	½ "	116	22	68.5	131
¾ "	20	19.0	¾ "	127	23	74.0	131
1 "	25	25.0	1 "	131	25	92.0	161
1 ½ "	40	38.0	1 ½ "	171	36	111.0	205
2 "	50	50.0	2 "	204	45	122.0	205
2 ½ "	65	63.5	2 ½ "	224	52	140.0	262
3 "	80	75.0	3 "	255	53	148.0	262
4 "	100	100.0	4 "	287	63	170.0	335