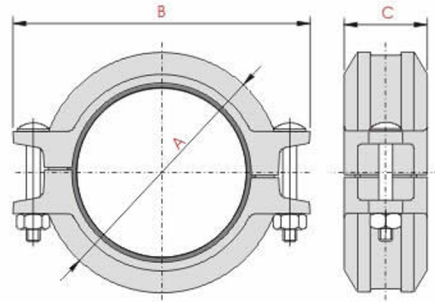


STAINLESS STEEL COUPLINGS

Designed to provide rugged, corrosion resistant components for grooved end stainless steel piping systems, coupling and fittings are investment cast ASTM A351 in 304 grade stainless steel and suitable for sch. 5, 10 or 40 stainless pipe. Available in 1"-8" sizes. Couplings are supplied with ASTM A193, grade B8M hex head bolts and A194, grade B8M nuts. Grade 316 housings with compatible bolts and nuts optionally available. Allows pipe support and hanging to ANSI B31.1. Available with a variety of gasket material to suit service conditions.

RIGID COUPLING STYLE 05S

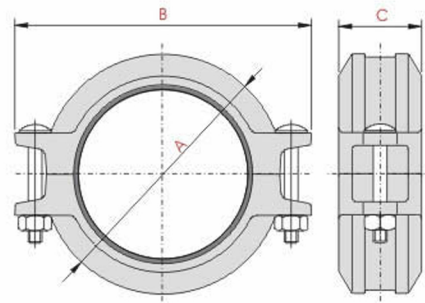
Provides joint rigidity and does not allow expansion, contraction nor deflection. Tongue and groove design with wider key section prevents expansion and contraction.



Nominal Size	Pipe Actual Size in./mm	Part Number	Max. Working Pressure psi / kPa	Allow Pipe End Separation in./mm	No. Bolt/Nut Req'd - Size Inch Ø	Dimensions (inch / mm)			Approx. Wt. Each lb. / kg.
						A	B	C	
1"	1.315 33.4	05S100	300 2070	0.10 2.5	2/2 - 3/8x2-1/8	2.19 55.6	3.54 90.0	1.72 43.8	1.4 0.6
1 1/4"	1.660 42.2	05S125	300 2070	0.10 2.5	2/2 - 3/8x2-1/8	2.56 65.0	3.90 99.0	1.73 43.9	1.4 0.6
1 1/2"	1.900 48.3	05S150	300 2070	0.10 2.5	2/2 - 3/8x2-1/8	2.80 71.0	4.21 107.0	1.73 43.9	1.5 0.7
2"	2.375 60.3	05S200	300 2070	0.10 2.5	2/2 - 3/8x2-1/8	3.29 83.6	4.72 120.0	1.79 45.7	1.8 0.8
2 1/2"	2.875 73.0	05S250	300 2070	0.10 2.5	2/2 - 3/8x2-1/8	3.83 97.3	5.28 134.0	1.79 45.7	2.1 0.9
3"	3.500 88.9	05S300	300 2070	0.10 2.5	2/2 - 3/8x2-7/8	4.49 114.1	5.98 152.0	1.79 45.7	2.8 1.3
4"	4.500 114.3	05S400	300 2070	0.16 4.1	2/2 - 3/8x2-7/8	5.83 148.0	7.20 183.0	1.99 50.6	4.3 1.9
5"	5.563 141.3	05S500	300 2070	0.16 4.1	2/2 - 1/2x3-3/8	6.91 175.5	8.66 220.0	1.99 50.6	5.4 2.5
6"	6.625 168.3	05S600	300 2070	0.16 4.1	2/2 - 1/2x3-3/8	8.07 205.0	9.80 249.0	1.99 50.6	7.0 3.2
8"	8.625 219.1	05S800	300 2070	0.19 4.8	2/2 - 5/8x4-1/2	10.26 260.5	12.40 315.0	2.32 59.1	13.9 6.3

FLEXIBLE COUPLING STYLE 12S

Provides expansion, contraction controlled angular and rotational movement of a joint. Accommodates settling, vibration, noise and other piping system movements.



Nominal Size	Pipe Actual Size in./mm	Part Number	Max. Working Pressure psi / kPa	Allow Pipe End Separation in./mm	Max. Deflection from Center Line S			No. Bolt/Nut Req'd - Size Inch Ø	Dimensions (inch / mm)			Approx. Wt. Each lb. / kg.
					Per Coupl. Deg.	in./ft.	mm/m		A	B	C	
1"	1.315 33.4	12S100	300 2070	0.10 2.5	5°/26"	1.14	95	2/2 - 3/8x2-1/8	2.19 55.6	3.54 90.0	1.72 43.8	1.4 0.6
1 1/4"	1.660 42.2	12S125	300 2070	0.10 2.5	4°/19"	0.90	75	2/2 - 3/8x2-1/8	2.56 65.0	3.90 99.0	1.73 43.9	1.4 0.6
1 1/2"	1.900 48.3	12S150	300 2070	0.10 2.5	3°/46"	0.79	66	2/2 - 3/8x2-1/8	2.80 71.0	4.21 107.0	1.73 43.9	1.5 0.7
2"	2.375 60.3	12S200	300 2070	0.10 2.5	3°/1"	0.62	52	2/2 - 3/8x2-1/8	3.29 83.6	4.72 120.0	1.79 45.7	1.8 0.8
2 1/2"	2.875 73.0	12S250	300 2070	0.10 2.5	2°/29"	0.52	43	2/2 - 3/8x2-1/8	3.83 97.3	5.28 134.0	1.79 45.7	2.1 0.9
3"	3.500 88.9	12S300	300 2070	0.10 2.5	2°/3"	0.43	36	2/2 - 3/8x2-7/8	4.49 114.1	5.98 152.0	1.79 45.7	2.8 1.3
4"	4.500 114.3	12S400	300 2070	0.16 4.1	3°/11"	0.67	56	2/2 - 3/8x2-7/8	5.83 148.0	7.20 183.0	1.99 50.6	4.3 1.9
5"	5.563 141.3	12S500	300 2070	0.16 4.1	2°/35"	0.54	45	2/2 - 1/2x3-3/8	6.91 175.5	8.66 220.0	1.99 50.6	5.4 2.5
6"	6.625 168.3	12S600	300 2070	0.16 4.1	2°/10"	0.46	38	2/2 - 1/2x3-3/8	8.07 205.0	9.80 249.0	1.99 50.6	7.0 3.2
8"	8.625 219.1	12S800	300 2070	0.19 4.8	1°/40"	0.34	29	2/2 - 5/8x4-1/2	10.26 260.5	12.40 315.0	2.32 59.1	13.9 6.3